

**Pre-Cast Mantel Measurement Form**

Date: \_\_\_\_\_



Distributor: \_\_\_\_\_

City: \_\_\_\_\_

Measured by: \_\_\_\_\_

Phone: \_\_\_\_\_

Subdivision: \_\_\_\_\_

Page \_\_\_\_\_ of \_\_\_\_\_

Client: \_\_\_\_\_

Phone: \_\_\_\_\_

Room/  
Location: \_\_\_\_\_

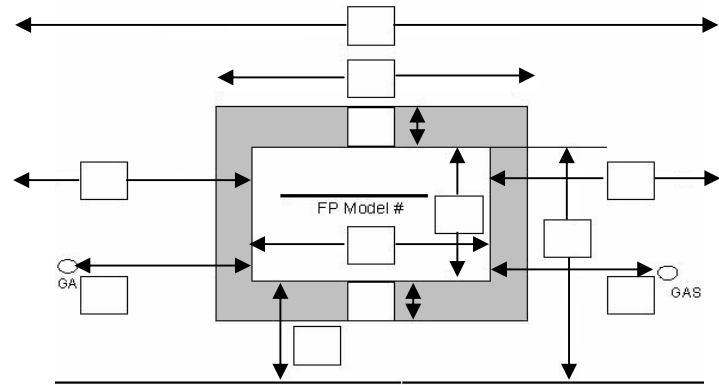
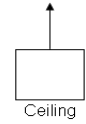
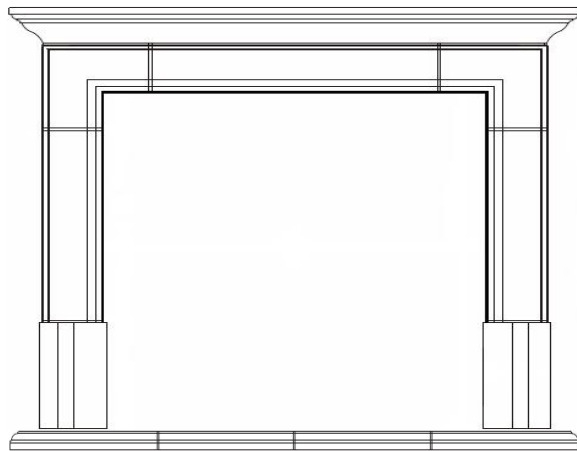
PO #: \_\_\_\_\_

Address: \_\_\_\_\_

City: \_\_\_\_\_

Lot/Plan: \_\_\_\_\_

Job #: \_\_\_\_\_



**FLOOR LINE**

Current Stage of Construction: \_\_\_\_\_

Style/Size: \_\_\_\_\_

Finish Hearth: \_\_\_\_\_ 1/2" Micore: YES NO

Required Install Date: \_\_\_\_\_

Finish: \_\_\_\_\_

W \_\_\_\_\_ D \_\_\_\_\_ TH \_\_\_\_\_ Overall Ht \_\_\_\_\_

Coloma

PG TS

W \_\_\_\_\_ D \_\_\_\_\_ TH \_\_\_\_\_ Overall Ht \_\_\_\_\_